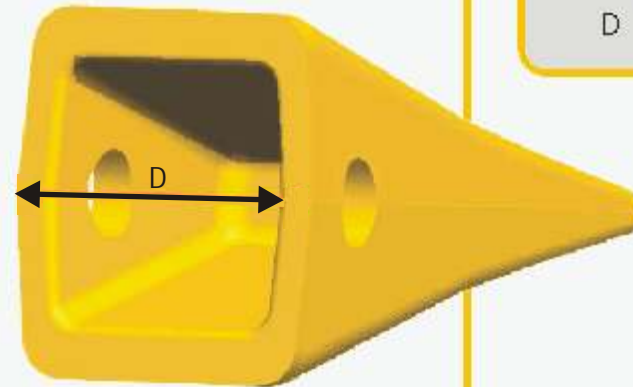
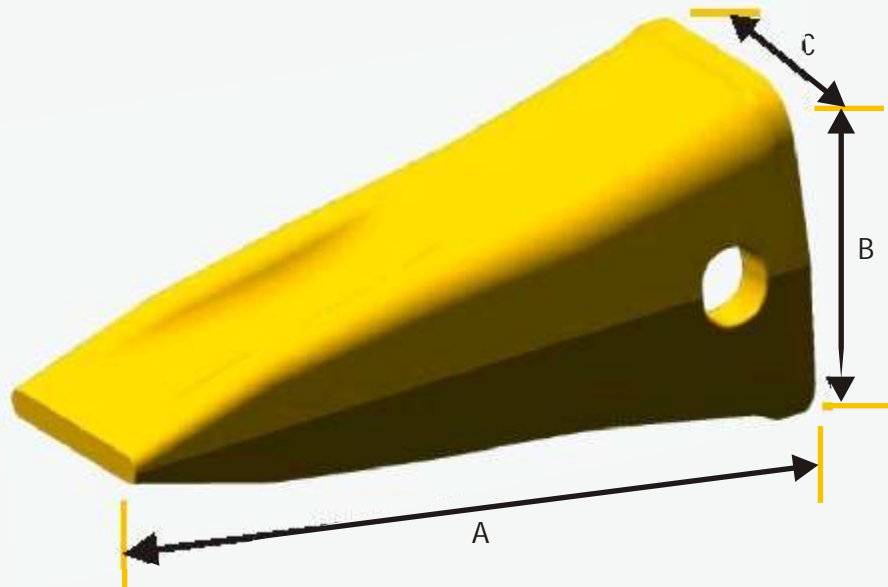


TECHNICAL DATA SHEET - HEAVY DUTY TOOTH



Label	Dimensions
A	278 mm
B	130 mm
C	119 mm
D	101.6 mm

NOTES:

CAST STEEL BUCKET TOOTH
HEAVY DUTY SHAPE FOR INCREASED WEAR LIFE

IMPORTANT- PLEASE ENSURE YOU CHECK YOUR DIMENSIONS CAREFULLY
BEFORE ORDERING TO ENSURE THE CORRECT PARTS ARE SUPPLIED.

