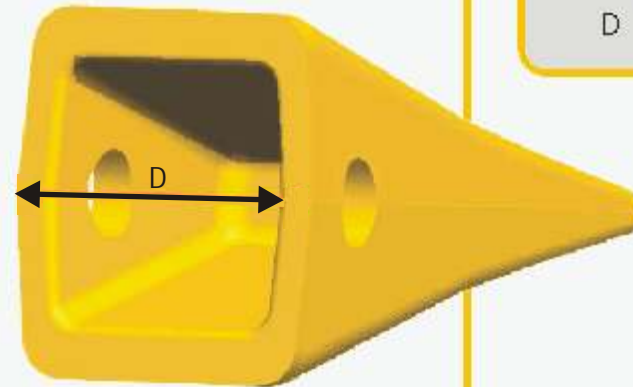
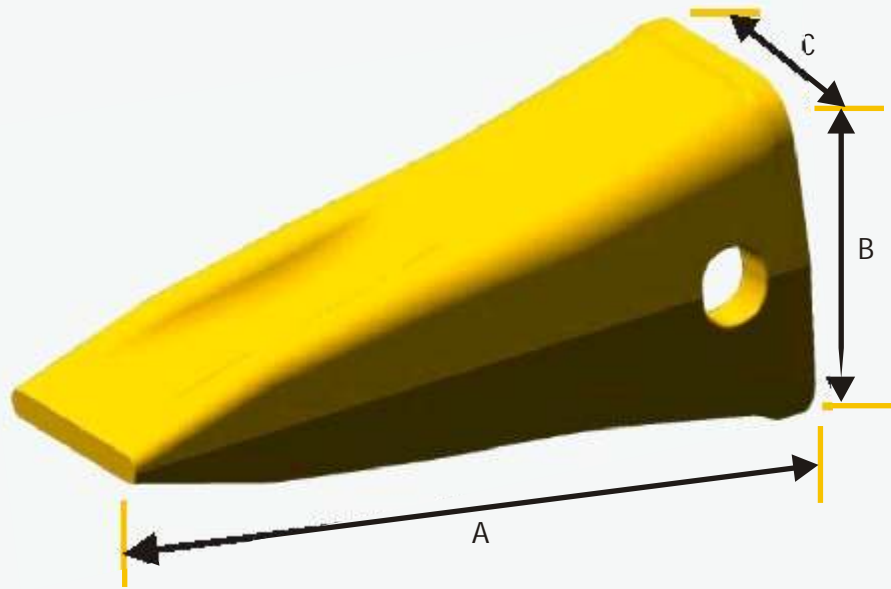


TECHNICAL DATA SHEET - HEAVY DUTY TOOTH



Label	Dimensions
A	310 mm
B	141 mm
C	136 mm
D	114 mm

NOTES:

CAST STEEL BUCKET TOOTH
HEAVY DUTY SHAPE FOR INCREASED WEAR LIFE

IMPORTANT- PLEASE ENSURE YOU CHECK YOUR DIMENSIONS CAREFULLY
BEFORE ORDERING TO ENSURE THE CORRECT PARTS ARE SUPPLIED.

