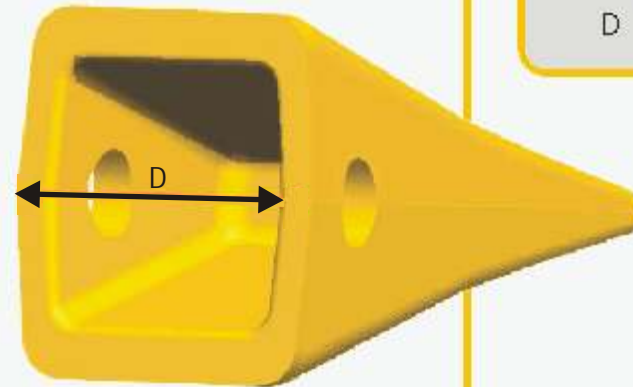
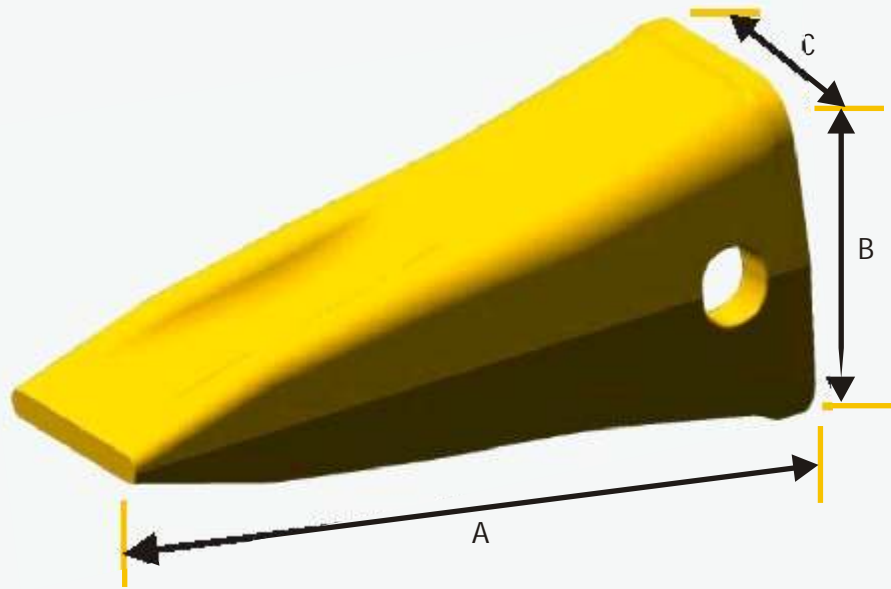


TECHNICAL DATA SHEET - HEAVY DUTY TOOTH



| Label | Dimensions |
|-------|------------|
| A | 200 mm |
| B | 94 mm |
| C | 78 mm |
| D | 63.5 mm |

NOTES:

CAST STEEL BUCKET TOOTH
HEAVY DUTY SHAPE FOR INCREASED WEAR LIFE

IMPORTANT- PLEASE ENSURE YOU CHECK YOUR DIMENSIONS CAREFULLY
BEFORE ORDERING TO ENSURE THE CORRECT PARTS ARE SUPPLIED.

