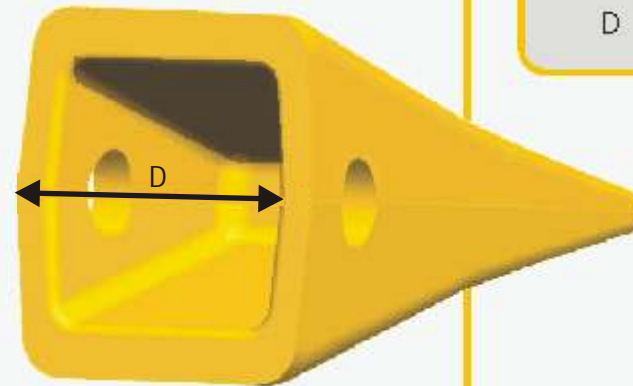
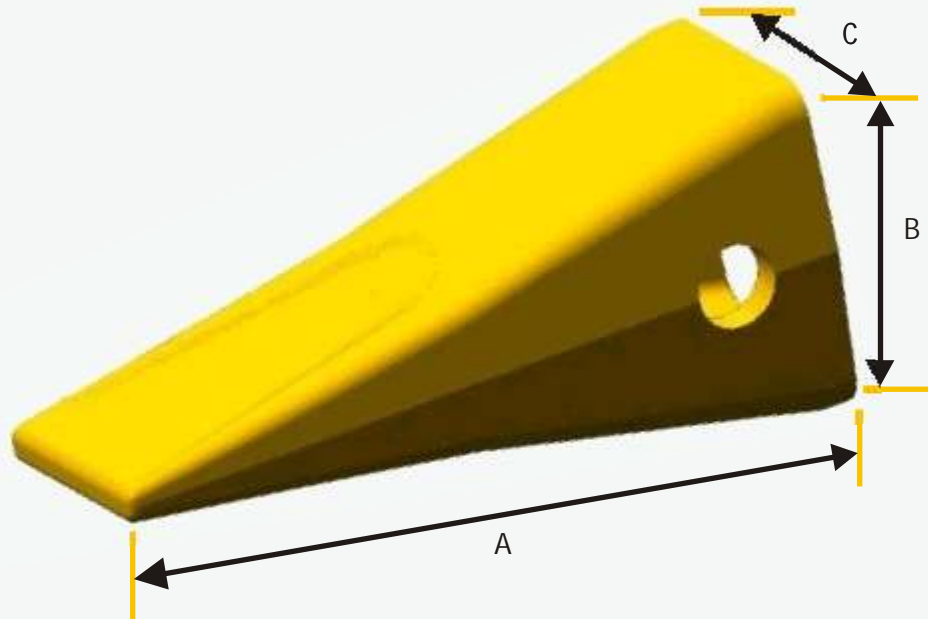


TECHNICAL DATA SHEET - STANDARD TOOTH



Label	Dimensions
A	294 mm
B	133 mm
C	131 mm
D	114 mm

NOTES:

CAST STEEL BUCKET TOOTH

IMPORTANT- PLEASE ENSURE YOU CHECK YOUR DIMENSIONS CAREFULLY BEFORE ORDERING TO ENSURE THE CORRECT PARTS ARE SUPPLIED.

