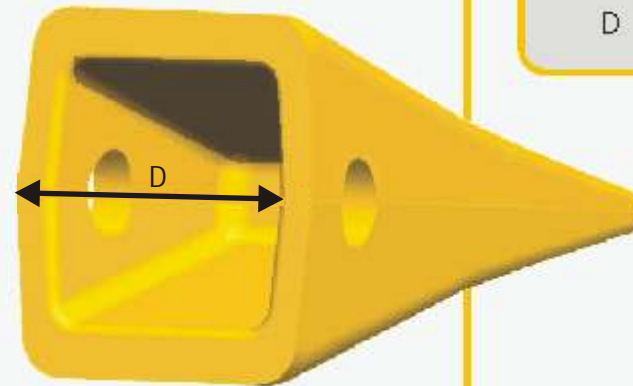
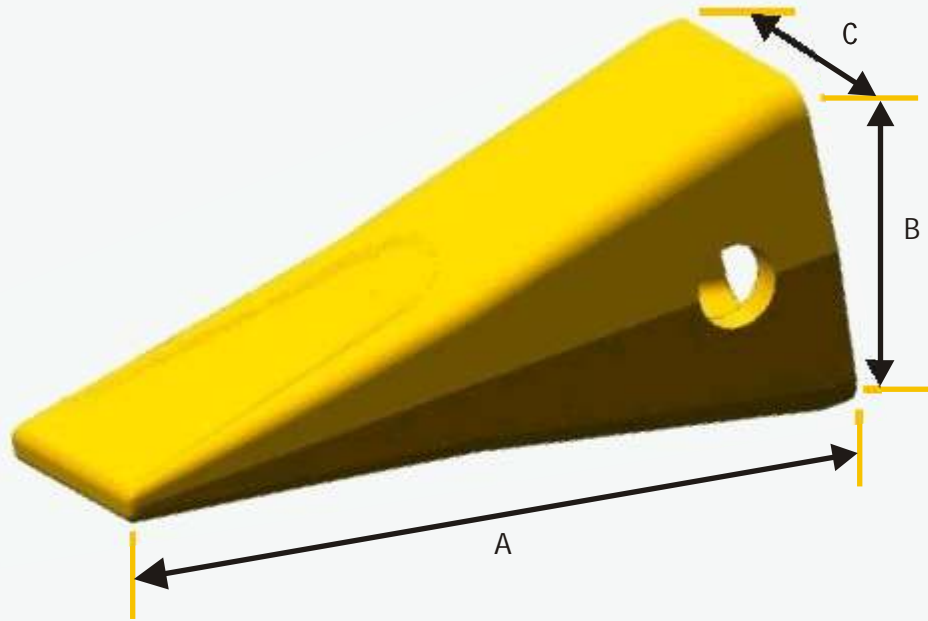


TECHNICAL DATA SHEET - STANDARD TOOTH



Label	Dimensions
A	192 mm
B	86 mm
C	74 mm
D	63.5 mm

NOTES:

CAST STEEL BUCKET TOOTH

IMPORTANT- PLEASE ENSURE YOU CHECK YOUR DIMENSIONS CAREFULLY BEFORE ORDERING TO ENSURE THE CORRECT PARTS ARE SUPPLIED.

