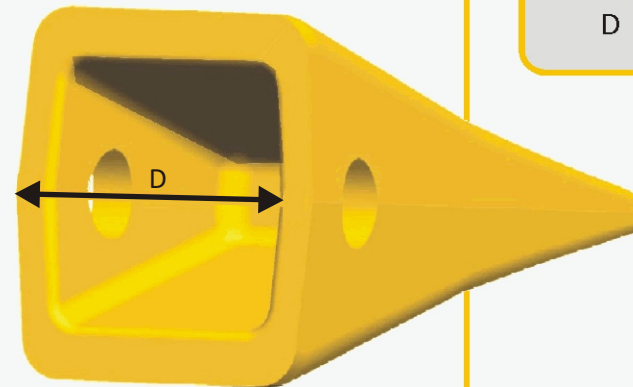
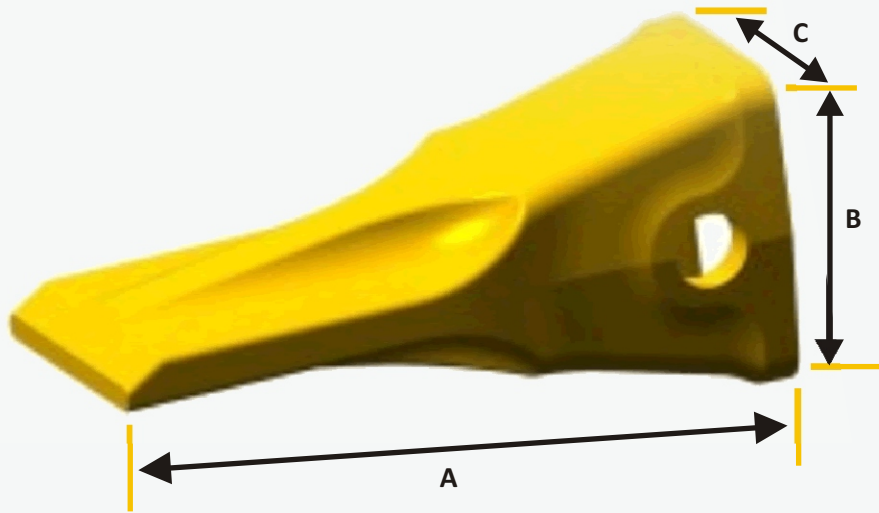


TECHNICAL DATA SHEET - SYMMETRICAL



Label	Dimensions
A	235 mm
B	102 mm
C	93 mm
D	76 mm

NOTES:

CAST STEEL BUCKET TOOTH
SYMMETRICAL SHAPE FOR INCREASED PENETRATION

IMPORTANT- PLEASE ENSURE YOU CHECK YOUR DIMENSIONS CAREFULLY
BEFORE ORDERING TO ENSURE THE CORRECT PARTS ARE SUPPLIED.

