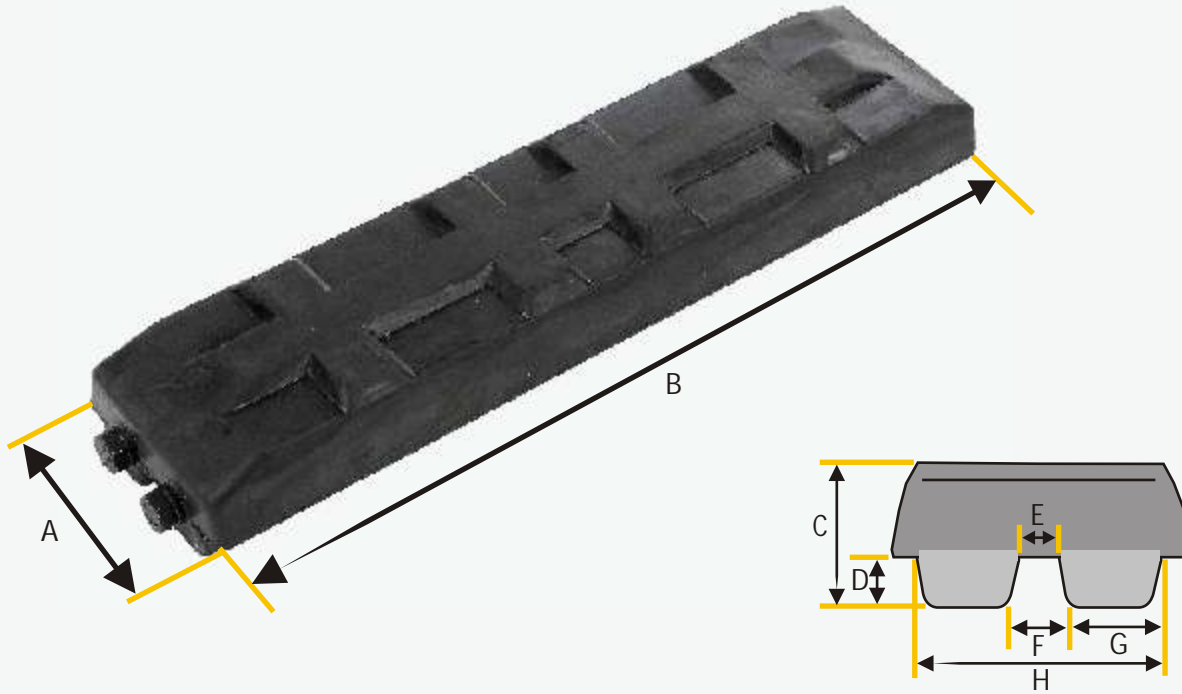


TECHNICAL DATA SHEET - RUBBER CLIP-ON TRACK PAD



Label	Dimensions
A	163 mm
B	688 mm
C	92 mm
D	33 mm
E	15 mm
F	26 mm
G	38 mm
H	112 mm

NOTES:

RUBBER CLIP ON TRACK PAD

IMPORTANT- PLEASE ENSURE YOU CHECK YOUR DIMENSIONS CAREFULLY BEFORE ORDERING TO ENSURE THE CORRECT PARTS ARE SUPPLIED.

